



SKU # MSUWL120RGB

Part # 1003276

Description

HydroBLAST 2-POD Underwater 120 Watt LED Lighting System - Marine 316 Stainless Steel - RGB Multi-Color

Categories Marine Sport Lighting

Sub-Categories HydroBLAST Underwater LED

UPC 814843029667

Unit of Measure EA

Related Skus:

MSUWBTC12V, MSUWRCC12V

Cross Sell Skus:

Condition

New

Manufacturer

Marine Sport Lighting

EZ Category

HydroBLAST Marine LED

Harmonization Code

8512.20.2080

Universal

YES

Life Expectancy

50,000 hours

SEMA Product

Marine All-Around Light

Part Type ID 57170

Reverse Polarity

Marine All-Around Light

Operating Voltage

9-32VDC

Current Draw

8.1A

Wattage

120-Watts

Chip Type

CREE

IP Rating

IP68

LUX

Kelvin (ColorTemperature)

RGB

Universal or Vehicle Specific

Universal

Made In

China

Warranty

2 year

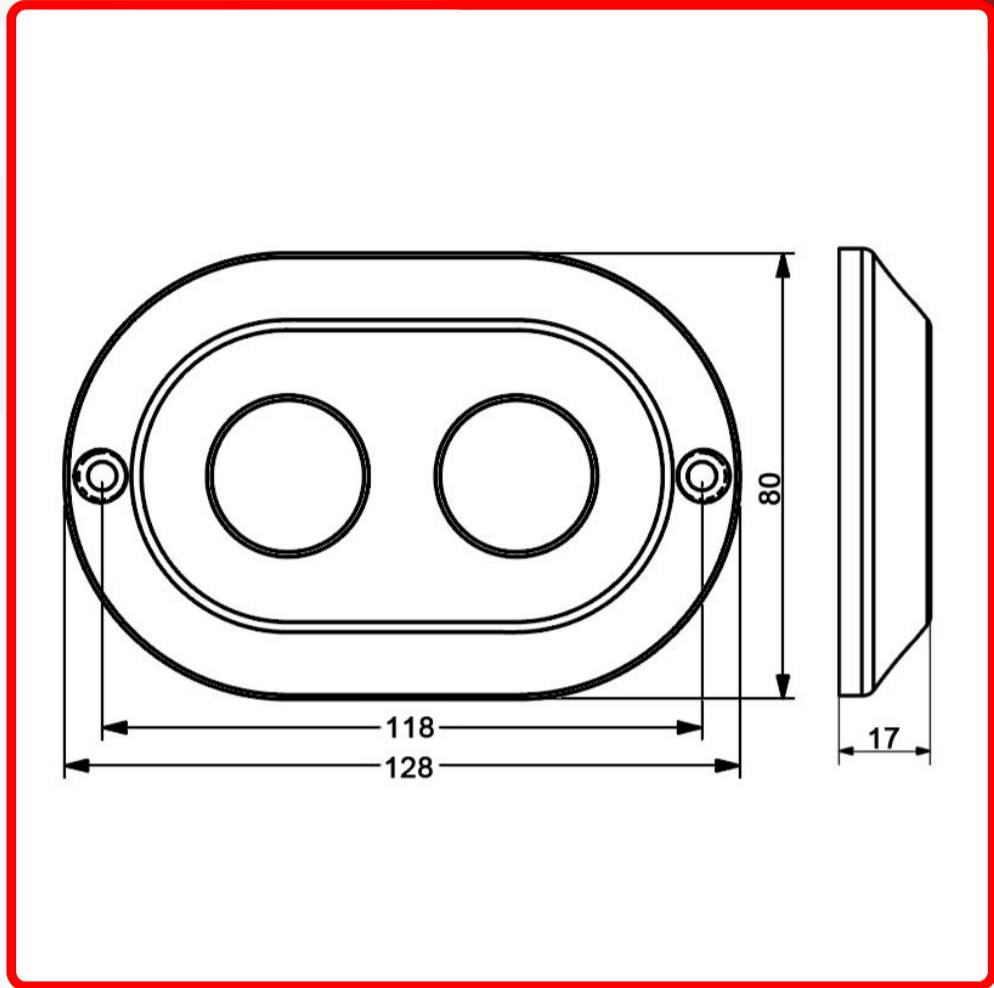
Lumens

1,459-5,834lm

Beam

Pattern

Flood



Product Information

Stainless Steel Dual Pod 120W LED Underwater Light (RGB) Marine Sport Lighting Stainless Steel LED Underwater boat lights function as transom lights and are also great for dock lighting. Use this durable LED boat light to add color to your wake, attract fish, or for nighttime swimming and diving. The LED housing is vibration and shock-resistant and is made from a solid piece of 316 marine-grade stainless steel with a shatterproof polycarbonate lens. These IP68-rated LED lights are completely waterproof, and intended exclusively for underwater use. The 120-Watt underwater LED boat light is designed to last 50,000 hours, operates within a wide 9-32V DC range, and uses 36 High-Powered Cree LEDs. Installation hardware is included for surface-mounting on a variety of transom types. Requires RGB control panel input, or pairs with our RF (MSUWRCC12V) or Bluetooth APP (MSUWBTC12V) controllers. Beam Angle: 180° Rated 2700-9000 Lumens Dimmable: No Wire Gauge: 16 Water Resistance: Waterproof

Est. Labor

1 Hours

Gross Weight

2.30

Width

5.00

Net Weight

2.30

Height

5.00

DIM Weight

0.90

Depth

5.00

Prop 65 WARNING: This product can expose you to chemicals, which are known to the State of California to cause cancer and birth defects or other reproductive harm. For more information go to www.P65Warnings.ca.gov